

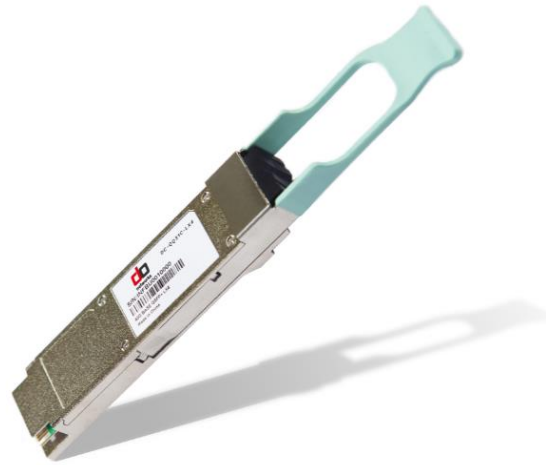
40Gb/s QSFP+ LX4 Optical Transceiver Pull-Tab Version

DC-QQ31C-LX4

Product Specification

Features

- 4 CWDM lanes MUX/DEMUX design
- Up to 11.2Gb/s data rate per wavelength
- QSFP+ MSA compliant
- IEEE 802.3ba Electrical Interface
- Digital diagnostic capabilities
- Compliant with QDR/DDR Infiniband data rates
- Up to 150m transmission on OM3 multimode fiber (MMF) or 2km transmission on single mode fiber (SMF)
- Operating case temperature: 0 to 70°C
- Maximum power consumption 3.5W



Applications

- 40GBASE-LX4 Ethernet Links
- Infiniband QDR and DDR interconnects
- Client-side 40G datacom connections

Part Number Ordering Information

| | |
|--------------|--|
| DC-QQ31C-LX4 | QSFP+ LX4 optical transceiver with full real-time digital diagnostic monitoring and pull tab |
|--------------|--|

1. General Description

This product is a transceiver module designed for optical transmission applications over both MMF and SMF with transmission distances of up to 150m on MMF (OM3) and 2km on SMF. The module converts 4 inputs channels (ch) of 10Gb/s electrical data to 4 CWDM optical signals, and multiplexes them into a single channel for 40Gb/s optical transmission. Reversely, on the receiver side, the module optically de-multiplexes a 40Gb/s input into 4 CWDM channels signals, and converts them to 4 channel output electrical data.

The central wavelengths of the 4 CWDM channels are 1271, 1291, 1311 and 1331 nm as members of the CWDM wavelength grid defined in ITU-T G694.2. It contains a duplex LC connector for the optical interface and a 148-pin connector for the electrical interface.

The product is designed with form factor, optical/electrical connection and digital diagnostic interface according to the QSFP+ Multi-Source Agreement (MSA). It has been designed to meet the harshest external operating conditions including temperature, humidity and EMI interference.

For applications over OM3/OM4 MMF, MMF cables are directly connected to the LC connectors of QSFP+ LX4 module and optical signal is directly launched from the transmitter into the MMF cable as shown in Figure 1. For applications over SMF, the module is used as a QSFP+ IR4 module and SMF cables are directly connected to the LC connectors of the module as shown in Figure 2.

2. Functional Description

This product converts the 4-channel 10Gb/s electrical input data into CWDM optical signals (light), by a driven 4-wavelength Distributed Feedback Laser (DFB) array. The light is combined by the MUX parts as a 40Gb/s data, propagating out of the transmitter module from the MMF. The receiver module accepts the 40Gb/s CWDM optical signals input, and de-multiplexes it into 4 individual 10Gb/s channels with different wavelength. Each wavelength light is collected by a discrete photo diode, and then outputted as electric data after amplified by a TIA and a post amplifier. Figures 1 and 2 show the functional block diagram of this product.

A single +3.3V power supply is required to power up this product. Both power supply pins VccTx and VccRx are internally connected and should be applied concurrently. As per MSA specifications the module offers 7 low speed hardware control pins (including the 2-wire serial interface): ModSelL, SCL, SDA, ResetL, LPMode, ModPrsL and IntL.

Module Select (ModSelL) is an input pin. When held low by the host, this product responds to 2-wire serial communication commands. The ModSelL allows the use of this product on a single 2-wire interface bus – individual ModSelL lines must be used.

Serial Clock (SCL) and Serial Data (SDA) are required for the 2-wire serial bus communication interface and enable the host to access the QSFP+ memory map.

The ResetL pin enables a complete reset, returning the settings to their default state, when a low level on the ResetL pin is held for longer than the minimum pulse length. During the execution of a reset the host shall disregard all status bits until it indicates a completion of the reset interrupt. The product indicates this by posting an IntL (Interrupt) signal with the Data_Not_Ready bit negated in the memory map. Note that on power up (including hot insertion) the module should post this completion of reset interrupt without requiring a reset.

Low Power Mode (LPMode) pin is used to set the maximum power consumption for the product in order to protect hosts that are not capable of cooling higher power modules, should such modules be accidentally inserted.

Module Present (ModPrsL) is a signal local to the host board which, in the absence of a product, is normally pulled up to the host Vcc. When the product is inserted into the connector, it completes the path to ground through a resistor on the host board and asserts the signal. ModPrsL then indicates its present by setting ModPrsL to a “Low” state.

Interrupt (IntL) is an output pin. “Low” indicates a possible operational fault or a status critical to the host system. The host identifies the source of the interrupt using the 2-wire serial interface. The IntL pin is an open collector output and must be pulled to the Host Vcc voltage on the Host board.

3. Transceiver Block Diagrams

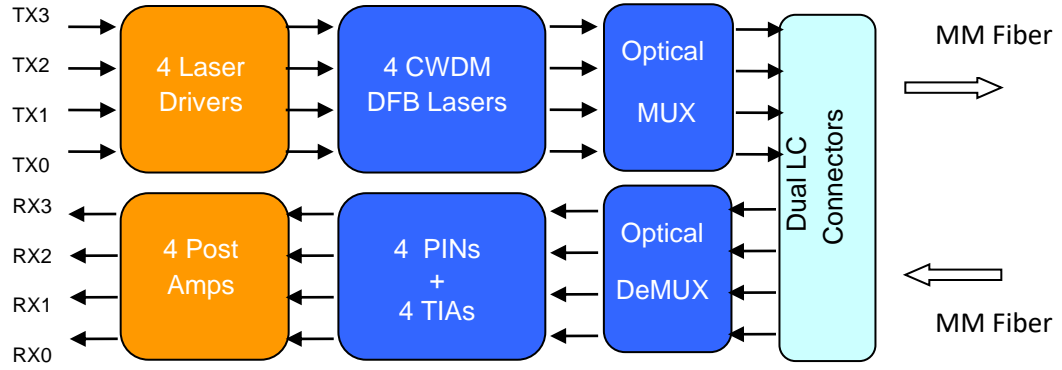


Figure 1. Transceiver Block Diagram for Applications over Multimode Fiber

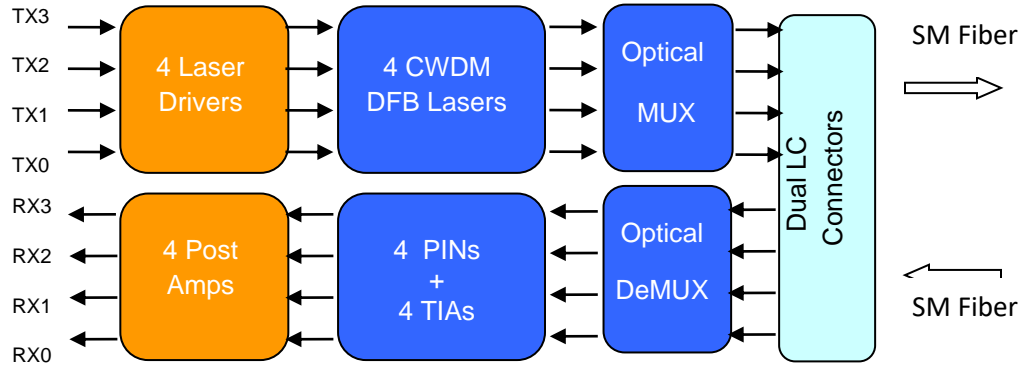


Figure 2. Transceiver Block Diagram for Applications over Single Mode Fiber

4. Pin Assignment and Definition

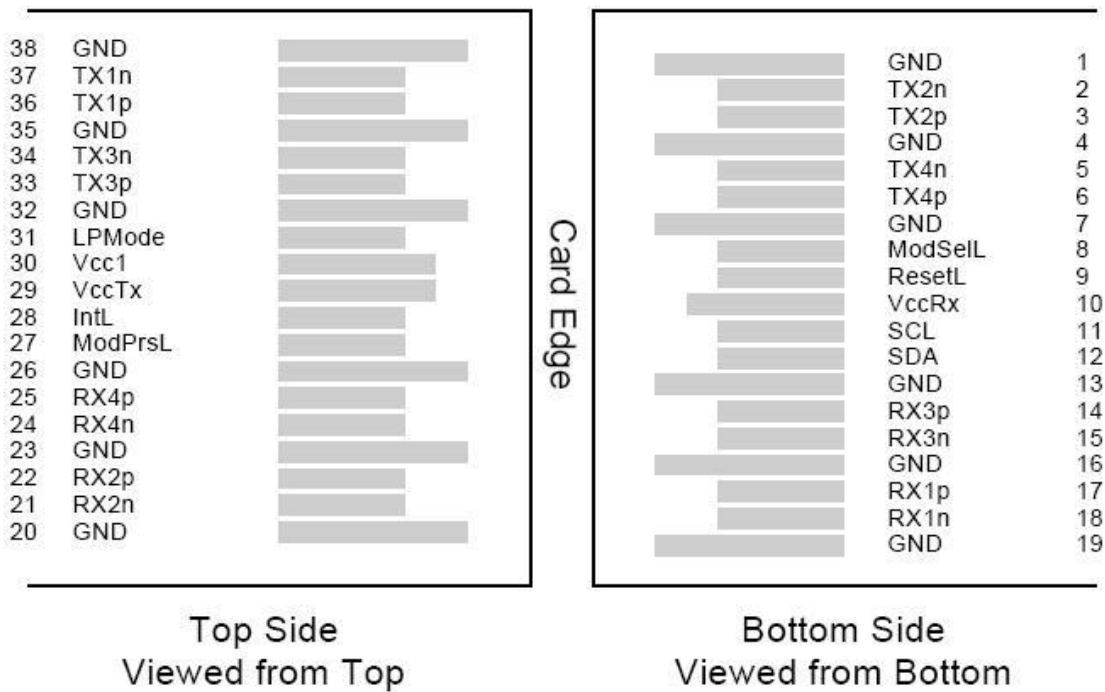


Figure 3. MSA Compliant Connector

Pin Definition

| PIN | Logic | Symbol | Name/Description | Notes |
|-----|-------------|---------|--------------------------------------|-------|
| 1 | | GND | Ground | 1 |
| 2 | CML-I | Tx2n | Transmitter Inverted Data Input | |
| 3 | CML-I | Tx2p | Transmitter Non-Inverted Data output | |
| 4 | | GND | Ground | 1 |
| 5 | CML-I | Tx4n | Transmitter Inverted Data Input | |
| 6 | CML-I | Tx4p | Transmitter Non-Inverted Data output | |
| 7 | | GND | Ground | 1 |
| 8 | LVTLL-I | ModSelL | Module Select | |
| 9 | LVTLL-I | ResetL | Module Reset | |
| 10 | | VccRx | +3.3V Power Supply Receiver | 2 |
| 11 | LVC MOS-I/O | SCL | 2-Wire Serial Interface Clock | |
| 12 | LVC MOS-I/O | SDA | 2-Wire Serial Interface Data | |
| 13 | | GND | Ground | |
| 14 | CML-O | Rx3p | Receiver Non-Inverted Data Output | |
| 15 | CML-O | Rx3n | Receiver Inverted Data Output | |
| 16 | | GND | Ground | 1 |
| 17 | CML-O | Rx1p | Receiver Non-Inverted Data Output | |
| 18 | CML-O | Rx1n | Receiver Inverted Data Output | |
| 19 | | GND | Ground | 1 |
| 20 | | GND | Ground | 1 |
| 21 | CML-O | Rx2n | Receiver Inverted Data Output | |
| 22 | CML-O | Rx2p | Receiver Non-Inverted Data Output | |
| 23 | | GND | Ground | 1 |
| 24 | CML-O | Rx4n | Receiver Inverted Data Output | 1 |
| 25 | CML-O | Rx4p | Receiver Non-Inverted Data Output | |
| 26 | | GND | Ground | 1 |
| 27 | LVTTL-O | ModPrsL | Module Present | |
| 28 | LVTTL-O | IntL | Interrupt | |
| 29 | | VccTx | +3.3 V Power Supply transmitter | 2 |
| 30 | | Vcc1 | +3.3 V Power Supply | 2 |
| 31 | LVTTL-I | LPMODE | Low Power Mode | |
| 32 | | GND | Ground | 1 |

| | | | | |
|----|-------|------|-------------------------------------|---|
| 33 | CML-I | Tx3p | Transmitter Non-Inverted Data Input | |
| 34 | CML-I | Tx3n | Transmitter Inverted Data Output | |
| 35 | | GND | Ground | 1 |
| 36 | CML-I | Tx1p | Transmitter Non-Inverted Data Input | |
| 37 | CML-I | Tx1n | Transmitter Inverted Data Output | |
| 38 | | GND | Ground | 1 |

Notes:

1. GND is the symbol for signal and supply (power) common for QSFP+ modules. All are common within the QSFP+ module and all module voltages are referenced to this potential unless noted otherwise. Connect these directly to the host board signal common ground plane.
2. VccRx, Vcc1 and VccTx are the receiving and transmission power suppliers and shall be applied concurrently. Recommended host board power supply filtering is shown in Figure 4 below. Vcc Rx, Vcc1 and Vcc Tx may be internally connected within the QSFP+ transceiver module in any combination. The connector pins are each rated for a maximum current of 500mA.

5. Recommended Power Supply Filter

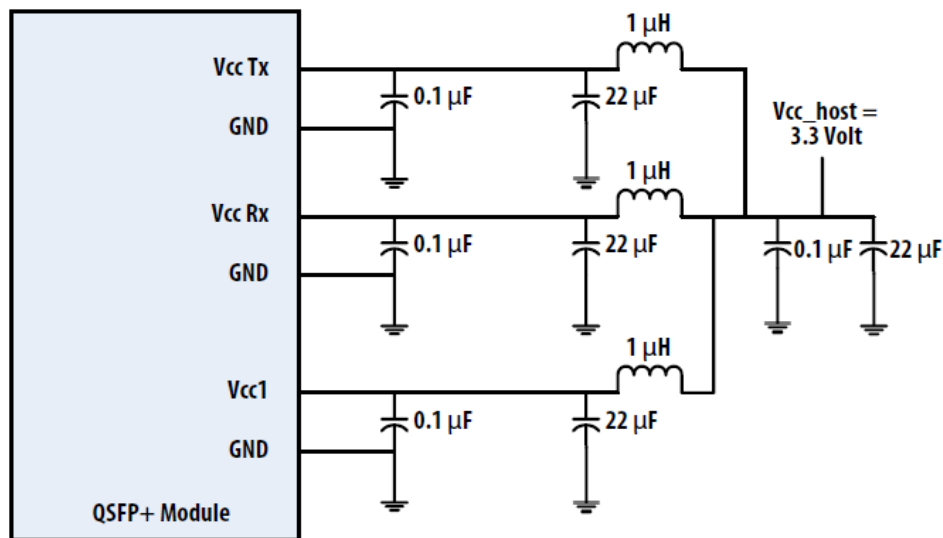


Figure 4. Recommended Power Supply Filter

6. Absolute Maximum Ratings

It has to be noted that the operation in excess of any absolute maximum ratings might cause permanent damage to this module.

| Parameter | Symbol | Min | Max | Units | Notes |
|--------------------------------------|-----------------|------|-----|-------|-------|
| Storage Temperature | T _S | -40 | 85 | degC | |
| Operating Case Temperature | T _{OP} | 0 | 70 | degC | |
| Power Supply Voltage | V _{CC} | -0.5 | 3.6 | V | |
| Relative Humidity (non-condensation) | RH | 0 | 85 | % | |
| Damage Threshold, each Lane | TH _d | 4.5 | | dBm | |

7. Recommended Operating Conditions and Power Supply Requirements

| Parameter | Symbol | Min | Typical | Max | Units |
|----------------------------|------------------|-------|---------|-----------------|-------|
| Operating Case Temperature | T _{OP} | 0 | | 70 | degC |
| Power Supply Voltage | V _{CC} | 3.135 | 3.3 | 3.465 | V |
| Data Rate, each Lane | | | 10.3125 | 11.2 | Gb/s |
| Control Input Voltage High | | 2 | | V _{CC} | V |
| Control Input Voltage Low | | 0 | | 0.8 | V |
| Link Distance (OM3 MMF) | D _{MMF} | | | 100 | m |
| Link Distance (SMF) | D _{SMF} | | | 2 | km |

8. Electrical Characteristics

The following electrical characteristics are defined over the Recommended Operating Environment unless otherwise specified.

| Parameter | Symbol | Min | Typical | Max | Units | Notes |
|-------------------|-----------------|-----|---------|-----|-------|-------|
| Power Consumption | | | | 3.5 | W | |
| Supply Current | I _{CC} | | | 1.1 | A | |

| | | | | | | |
|---|--------------------|---------------------------|-----|------|----------|--------------------------------|
| Transceiver Power-on Initialization Time | | | | 2000 | ms | 1 |
| Transmitter (each Lane) | | | | | | |
| Single-ended Input Voltage Tolerance (Note 2) | | -0.3 | | 4.0 | V | Referred to TP1 signal common |
| AC Common Mode Input Voltage Tolerance | | 15 | | | mV | RMS |
| Differential Input Voltage Swing Threshold | | 50 | | | mVpp | LOSA Threshold |
| Differential Input Voltage Swing | V _{in,pp} | 190 | | 700 | mVpp | |
| Differential Input Impedance | Z _{in} | 90 | 100 | 110 | Ohm | |
| Differential Input Return Loss | | See IEEE 802.3ba 86A.4.11 | | | dB | 10MHz-11.1GHz |
| J2 Jitter Tolerance | Jt2 | 0.17 | | | UI | |
| J9 Jitter Tolerance | Jt9 | 0.29 | | | UI | |
| Data Dependent Pulse Width Shrinkage (DDPWS) Tolerance | | 0.07 | | | UI | |
| Eye Mask Coordinates {X1, X2 Y1, Y2} | | 0.11, 0.31 95, 350 | | | UI mV | Hit Ratio = 5x10 ⁻⁵ |
| Receiver (each Lane) | | | | | | |
| Single-ended Output Voltage | | -0.3 | | 4.0 | V | Referred to signal common |
| AC Common Mode Output Voltage | | | | 7.5 | mV | RMS |

| | | | | | | |
|--------------------------------------|---------|----------------------------|-----|------|----------|--------------------------------|
| Differential Output Voltage Swing | Vout,pp | 300 | | 850 | mVpp | |
| Differential Output Impedance | Zout | 90 | 100 | 110 | Ohm | |
| Termination Mismatch at 1MHz | | | | 5 | % | |
| Differential Output Return Loss | | See IEEE 802.3ba 86A.4.2.1 | | | dB | 10MHz-11.1GHz |
| Common Mode Output Return Loss | | See IEEE 802.3ba 86A.4.2.2 | | | dB | 10MHz-11.1GHz |
| Output Transition Time | | 28 | | | ps | 20% to 80% |
| J2 Jitter Output | Jo2 | | | 0.42 | UI | |
| J9 Jitter Output | Jo9 | | | 0.65 | UI | |
| Eye Mask Coordinates {X1, X2 Y1, Y2} | | 0.29, 0.5 150, 425 | | | UI mV | Hit Ratio = 5x10 ⁻⁵ |

Notes:

1. Power-on initialization time is the time from when the power supply voltages reach and remain above the minimum recommended operating supply voltages to the time when the module is fully functional.
2. The single ended input voltage tolerance is the allowable range of the instantaneous input signals.

9. Optical Characteristics

The following electrical characteristics are defined for applications over SMF unless otherwise specified.

| Parameter | Symbol | Min | Typical | Max | Units | Notes |
|-----------------------|--------|--------|---------|--------|-------|-------|
| Wavelength Assignment | L0 | 1264.5 | 1271 | 1277.5 | nm | |

| | | | | | | |
|---|----------------|-------------------------------------|------|--------|-------|-----------------|
| | L1 | 1284.5 | 1291 | 1297.5 | nm | |
| | L2 | 1304.5 | 1311 | 1317.5 | nm | |
| | L3 | 1324.5 | 1331 | 1337.5 | nm | |
| Transmitter | | | | | | |
| Total Average Launch Power | P_T | | | 6.0 | dBm | |
| Average Launch Power, each Lane (for SMF) | $P_{AVG, SMF}$ | -7.0 | | 0 | dBm | |
| Average Launch Power, each Lane (for MMF) | $P_{AVG, MMF}$ | -5.0 | | 3.5 | dBm | |
| OMA, each Lane (for SMF) | $P_{OMA, SMF}$ | -6.0 | | 1.0 | dBm | 1 |
| OMA, each Lane (for MMF) | $P_{OMA, MMF}$ | -4.0 | | 4.5 | dBm | |
| Difference in Launch Power between any Two Lanes (OMA) | $P_{tx, diff}$ | | | 6.5 | dB | |
| Launch Power in OMA minus Transmitter and Dispersion Penalty (TDP), each Lane | | -6.8 | | | dBm | |
| TDP, each Lane | TDP | | | 2.6 | dB | |
| Extinction Ratio | ER | 3.5 | | | dB | |
| Relative Intensity Noise | RIN | | | -128 | dB/Hz | 12dB reflection |
| Transmitter Reflectance | R_T | | | -12 | dB | |
| Transmitter Eye Mask Definition {X1, X2, X3, Y1, Y2, Y3} | | {0.23, 0.34, 0.43, 0.27, 0.35, 0.4} | | | | |
| Average Launch Power OFF Transmitter, each Lane | P_{off} | | | -30 | dBm | |
| Receiver | | | | | | |
| Damage Threshold, each Lane | TH_d | 4.5 | | | dBm | 2 |
| Total Average Receive Power | | | | 6.0 | dBm | |
| Average Receive Power, each | | -11.7 | | 0 | dBm | |

| | | | | | | |
|--|----------------|------|--|-------|-----|--|
| Lane (for SMF) | | | | | | |
| Average Receive Power, each Lane (for MMF) | | -7.0 | | 3.5 | dBm | |
| Receiver Reflectance | R _R | | | -26 | dB | |
| Receive Power (OMA), each Lane (for SMF) | | | | 1.0 | dBm | |
| Receive Power (OMA), each Lane (for MMF) | | | | 4.5 | dBm | |
| Receiver Sensitivity (OMA), each Lane | SEN | | | -11.5 | dBm | |
| Difference in Receive Power between any Two Lanes (OMA) | Prx,diff | | | 7.5 | dB | |
| LOS Assert | LOSA | -28 | | | dBm | |
| LOS Deassert | LOSD | | | -15 | dBm | |
| LOS Hysteresis | LOSH | 0.5 | | | dB | |
| Receiver Electrical 3 dB upper Cutoff Frequency, each Lane | F _c | | | 12.3 | GHz | |

Notes:

1. Even if the TDP < 0.8 dB, the OMA min must exceed the minimum value specified here.
2. The receiver shall be able to tolerate, without damage, continuous exposure to a modulated optical input signal having this power level on one lane. The receiver does not have to operate correctly at this input power.

10. Digital Diagnostic Functions

The following digital diagnostic characteristics are defined over the normal operating conditions unless otherwise specified.

| Parameter | Symbol | Min | Max | Units | Notes |
|-----------|--------|-----|-----|-------|-------|
|-----------|--------|-----|-----|-------|-------|

| | | | | | |
|---|--------------|------|-----|------|----------------------------------|
| Temperature monitor absolute error | DMI_Temp | -3 | 3 | degC | Over operating temperature range |
| Supply voltage monitor absolute error | DMI_VCC | -0.1 | 0.1 | V | Over full operating range |
| Channel RX power monitor absolute error | DMI_RX_Ch | -2 | 2 | dB | 1 |
| Channel Bias current monitor | DMI_ibias_Ch | -10% | 10% | mA | |
| Channel TX power monitor absolute error | DMI_TX_Ch | -2 | 2 | dB | 1 |

Notes:

1. Due to measurement accuracy of different multi-mode fibers, there could be an additional +/-1 dB fluctuation, or a +/- 3 dB total accuracy.

11. Mechanical Dimensions

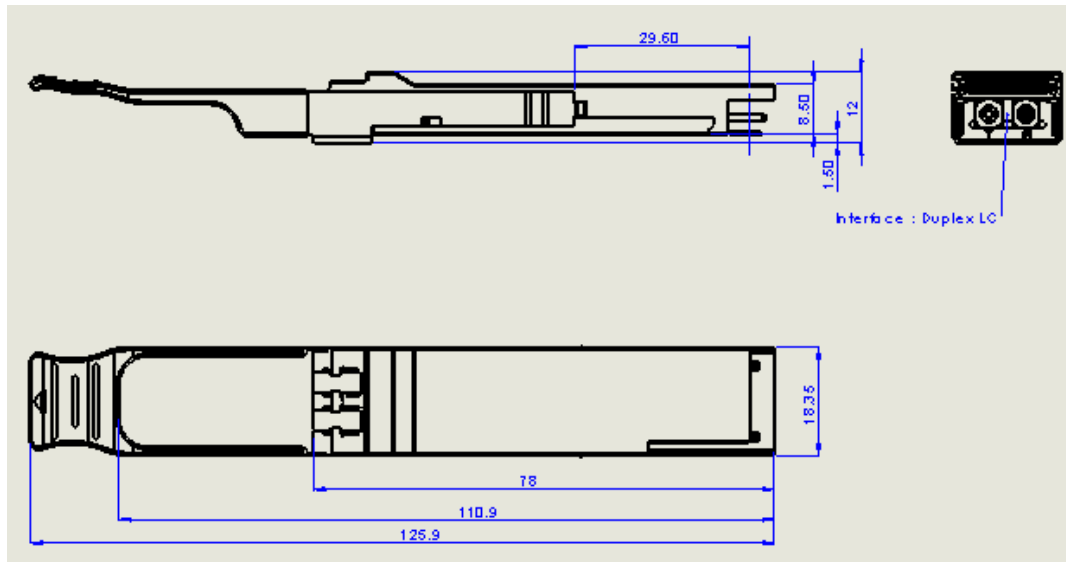


Figure 5. Mechanical Outline

12. ESD

This transceiver is specified as ESD threshold 1kV for SFI pins and 2kV for all other electrical input pins, tested per MIL-STD-883, Method 3015.4 /JESD22-A114-A (HBM).

However, normal ESD precautions are still required during the handling of this module. This transceiver is shipped in ESD protective packaging. It should be removed from the packaging and handled only in an ESD protected environment.

13. Laser Safety

This is a Class 1 Laser Product according to IEC 60825-1:2007. This product complies with 21 CFR 1040.10 and 1040.11 except for deviations pursuant to Laser Notice No. 50, dated (June 24, 2007).