

10Gb/s XFP CWDM 100km Optical Transceiver Module

DC-CX92XXx-100

Features

- Up to 11.3Gb/s data links
- CWDM EML transmitter and APD receiver
- Up to 100km on 9/125 μ m SMF
- Hot-pluggable XFP footprint
- Supports Lineside and XFI loopback
- Duplex LC/UPC type pluggable optical interface
- RoHS-10 compliant and lead-free
- Support Digital Diagnostic Monitoring interface
- Single +3.3V power supply
- No Reference Clock required
- Maximum power consumption 2.0W
- Metal enclosure, for lower EMI
- Meet ESD requirements ,resist 8KV direct contact voltage
- Case operating temperature

Commercial: 0 ~ +70°C

Extended: -10 ~ +80°C

Industrial: -40 ~ +85°C

Applications

- 10GBASE-ZR/ZW & 10G Ethernet
- SDH STM64
- Other Optical Links



Part Number Ordering Information

Part Number	Data Rate (Gb/s)	Wavelength (nm)	Transmission Distance(km)	Temperature (°C) (Operating Case)
DC-CX92XXC-100	10.3125	Refer to wavelength selection	100km SMF	0~70 commercial
DC-CX92XXE-100	10.3125		100km SMF	-10~80 Extended
DC-CX92XXI-100	10.3125		100km SMF	-40~85 Industrial

Wavelength Selection: CWDM λ Wavelength Guide Pin Descriptions

Wavelength	x	Clasp Color Code	Wavelength	x	Clasp Color Code
1470 nm	H	Gray	1550 nm	5	Yellow
1490 nm	4	Purple	1570 nm	K	Orange
1510 nm	I	Blue	1590 nm	L	Red
1530 nm	J	Green	1610 nm	M	Brown

I. Absolute Maximum Ratings

It has to be noted that the operation in excess of any individual absolute maximum ratings might cause permanent damage to this module.

Parameter	Symbol	Min	Max	Unit	Unit
Storage Temperature	T _s	-40	85	°C	
Power Supply Voltage	V _{CC}	-0.5	3.6	V	



Relative Humidity (non-condensation)	RH	5	95	%	
Damage Threshold	TH _d	0		dBm	

II. Recommended Operating Conditions and Power Supply Requirements

Parameter	Symbol	Min	Typical	Max	Unit	Notes
Operating Case Temperature	T _{OP}	See order Information			°C	commercial
Power Supply Voltage	V _{CC}	3.135	3.3	3.465	V	
Data Rate			10.3125		Gb/s	
Control Input Voltage High		2		V _{CC}	V	
Control Input Voltage Low		0		0.8	V	
Link Distance (SMF)	D			100	km	9/125um

III. General Description

Do-networks' DC-CX92XXx-100 XFP transceiver is designed for use in 10-Gigabit Ethernet links up to 100km over single mode fiber. The module consists of CWDM EML Laser, APD and Preamplifier in a high-integrated optical sub-assembly. Digital diagnostics functions are available via a 2-wire serial interface, as specified in XFP MSA.

DC-CX92XXx-100 transceivers provide a unique enhanced digital diagnostic monitoring interface, which allows real-time access to device operating parameters such as transceiver temperature, laser bias current, transmitted optical power, and received optical power and transceiver supply voltage. It also defines a sophisticated system of alarm and warning flags, which alerts end-users when particular operating parameters are outside of a factory set normal range.

The XFP MSA defines a 256-byte memory map in EEPROM that is accessible over a 2-wire serial interface at the 8 bit address 1010000X (A0h). The digital diagnostic monitoring interface makes use of the 8 bit address 1010001X (A2h), so the originally defined serial ID memory map remains unchanged.

IV. Pin Assignment and Pin Description

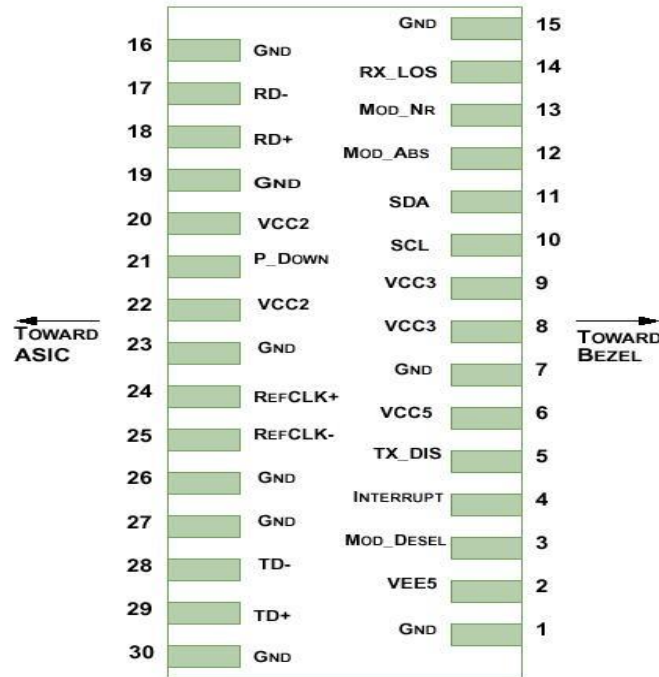


Figure1. Diagram of host board connector block pin numbers and names

Pin	Symbol	Name/Description	Notes
1	GND	Module Ground	1
2	VEE5	Optional -5.2 Power Supply – Not required	
3	Mod-Desel	Module De-select; When held low allows the module to respond to 2-wire serial interface commands	
4	Interrupt	Interrupt (bar); Indicates presence of an important condition which can be read over the serial 2-wire interface	2
5	TX_DIS	Transmitter Disable; Transmitter laser source turned off	
6	VCC5	+5 Power Supply – Not required	
7	GND	Module Ground	1
8	VCC3	+3.3V Power Supply	
9	VCC3	+3.3V Power Supply	
10	SCL	Serial 2-wire interface clock	
11	SDA	Serial 2-wire interface data line	2
12	Mod_Abs	Module Absent; Indicates module is not present. Grounded in the module.	2



DC-CX92XXx-100
Product Specification Rev1.1

13	Mod_NR	Module Not Ready; Do-networks' defines it as a logical OR between RX_LOS and Loss of Lock in TX/RX.	2
14	RX_LOS	Receiver Loss of Signal indicator	2
15	GND	Module Ground	1
16	GND	Module Ground	1
17	RD-	Receiver inverted data output	
18	RD+	Receiver non-inverted data output	
19	GND	Module Ground	1
20	VCC2	+1.8V Power Supply – Not required	
21	P_Down/RST	Power Down; When high, places the module in the low power stand-by mode and on the falling edge of P_Down initiates a module reset	
		Reset; The falling edge initiates a complete reset of the module including the 2-wire serial interface, equivalent to a power cycle.	
22	VCC2	+1.8V Power Supply – Not required	
23	GND	Module Ground	1
24	RefCLK+	Reference Clock non-inverted input, AC coupled on the host board – Not required	3
25	RefCLK-	Reference Clock inverted input, AC coupled on the host board – Not required	3
26	GND	Module Ground	1
27	GND	Module Ground	1
28	TD-	Transmitter inverted data input	
29	TD+	Transmitter non-inverted data input	
30	GND	Module Ground	1

Notes:

1. Module circuit ground is isolated from module chassis ground within the module.
2. Open collector; should be pulled up with 4.7kΩ-10kΩ on host board to a voltage between 3.15V and 3.6V.
3. A Reference Clock input is not required by the DC-CX92XXx-100. If present, it will be ignored.

V. Electrical Characteristics

The following electrical characteristics are defined over the Recommended Operating Environment unless otherwise specified.

Parameter	Symbol	Min.	Typ.	Max	Unit	Notes
Power Consumption	P			2.0	W	1
Supply Current	I _{cc}			580	mA	
Transmitter						
Single-ended Input Voltage Tolerance	V _{cc}	-0.3		4.0	V	
Differential Input Voltage Swing	V _{in,pp}	120		820	mV _{pp}	
Differential Input Impedance	Z _{in}	90	100	110	Ohm	2
Transmit Disable Assert Time				10	us	
Transmit Disable Voltage	V _{dis}	V _{cc} -1.3		V _{cc}	V	3
Transmit Enable Voltage	V _{en}	V _{ee}		V _{ee} +0.8	V	
Receiver						
Differential Output Voltage Swing	V _{out,pp}	650		850	mV _{pp}	
Differential Output Impedance	Z _{out}	90	100	110	Ohm	4
Data output rise/fall time	T _r /T _f			38	ps	5
LOS Assert Voltage	V _{losH}	V _{cc} -1.3		V _{cc}	V	6
LOS De-assert Voltage	V _{losL}	V _{ee}		V _{ee} +0.8	V	6
Power Supply Rejection	PSR					7

Notes:

1. Maximum total power value is specified across the full temperature and voltage range.
2. After internal AC coupling.
3. Or open circuit.
4. In to 100 ohms differential termination.
5. These are unfiltered 20-80% values
6. Loss of Signal is open collector to be pulled up with a 4.7kΩ-10kΩ resistor to 3.15-3.6V. Logic 0 indicates normal operation; logic 1 indicates no signal detected.
7. Per Section 2.7.1. in the XFP MSA Specification1.

VI. Optical Characteristics

The following optical characteristics are defined over the Recommended Operating Environment unless otherwise specified.

Parameter	Symbol	Min.	Typical	Max	Unit	Notes
Transmitter						
Optical Wavelength	λ	$\lambda - 6.5$		$\lambda + 6.5$	nm	1
Optical Spectral Width	$\Delta\lambda$			1	nm	
Side mode Suppression ratio	SMSR	30			dB	
Average Optical Power	P_{AVG}	1		5	dBm	
Optical Extinction Ratio	ER	8.2			dB	
Transmitter and Dispersion Penalty	TDP			3	dB	
Average Launch power of OFF transmitter	P_{OFF}			-30	dBm	
Transmitter Eye Mask	Compliant with IEEE802.3ae					
Receiver						
Center Wavelength	λ_C	1270		1610	nm	
Receiver Sensitivity (Average Power)	Sen.			-25	dBm	2
Input Saturation Power (overload)	P_{sat}	-8			dBm	
LOS Assert	LOSA	-37			dBm	
LOS De-assert	LOSD			-27	dBm	
Receiver Reflectance	Rrx			-27	dB	
LOS Hysteresis	LOSH	0.5			dB	

Notes:

1. “λ” is:1470, 1490, 1510, 1530, 1550, 1570, 1590, 1610, please the “product selection” .
2. Measured with Light source 1x0nm, ER=8.2dB; BER =10^{-12} @10.3125Gbps, PRBS=2^31-1 NRZ.

VII. Digital Diagnostic Functions

The following digital diagnostic characteristics are defined over the normal operating conditions unless otherwise specified.

Parameter	Symbol	Min.	Max	Unit	Notes
Temperature monitor absolute error	DMI_Temp	-3	3	degC	Over operating temp
Supply voltage monitor absolute error	DMI_VCC	-0.15	0.15	V	Full operating range
RX power monitor absolute error	DMI_RX	-3	3	dB	
Bias current monitor	DMI_bias	-10%	10%	mA	
TX power monitor absolute error	DMI_TX	-3	3	dB	

VIII. Mechanical Dimensions

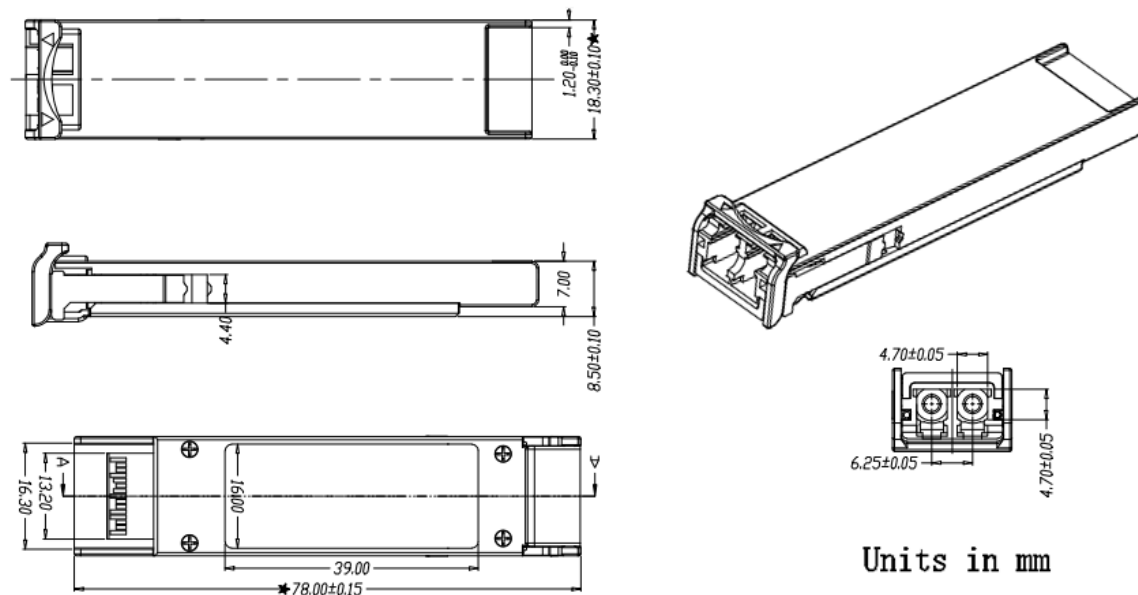


Figure2. Mechanical Outline



IX. Precautions

- a. This device is susceptible to damage as a result of electrostatic discharge (ESD). A static free environment is highly recommended. Follow guidelines according to proper ESD procedures.
- b. Radiation emitted by laser devices can be dangerous to human eyes. Avoid eye exposure to direct or indirect radiation.